

Installation accessories Specification

AS-NNR40P1-25

AS-NNR40LCX-1000

AS-NNR40DCX-XX

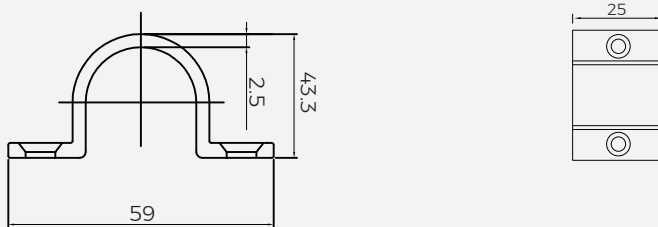


【Features】

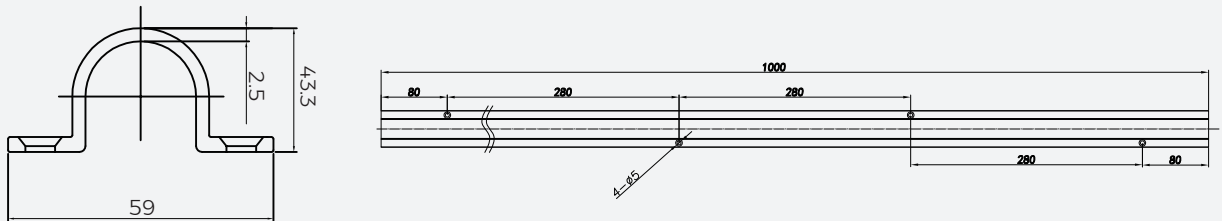
- Material: PC;
- Operating environment: indoor;
- Installation: screw flat mounting;
- Warranty: 3 years.

【Mechanical Parameter】

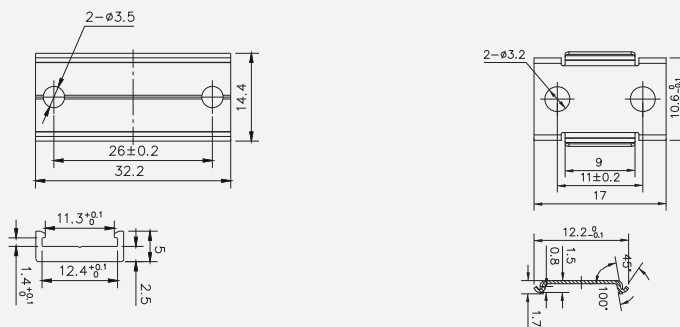
AS-NNR40P1-25




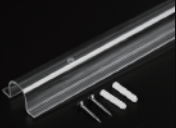

AS-NNR40LCX-1000



AS-NNR40DCX-XX



【Specification information】

Describe	Accessories Picture	Order model	Quantity/ case (PCS)	Net weight (kg)	Per box net weight (kg)	Gross weight (kg)	Packages (mm)	Range of applications
NNR40 ceiling Fixed installation components		AS-NNR40PI-25	100	0.015	1.5	2.1	250*250*150	Size: L25*W59*H43.3mm with screws 3pcs/1M;5pcs/2.5M; 8pcs/5M
Horizontal ceiling installation components		AS-NNR40LCX-1000	8	0.37	2.96	4.06	1180*125*115	Size: L1000*W59*H43.3mm with screws
Concealed Install components		AS-NNR40DCX-XX	600	0.01	6	6.6	250*250*150	Appearance size: PC:W14.3*H4.9*L32.2mm SUS304:W12.1*H1.5*L17.1mm Recommended dosage:1PCS/0.5M

【Precautions】

- Do not use any acid or alkaline adhesive to fix products(including not limited to glass cement,etc).
- After the installation of the lamps and lanterns is completed, do not pull violently, to avoid damage to the lamp.